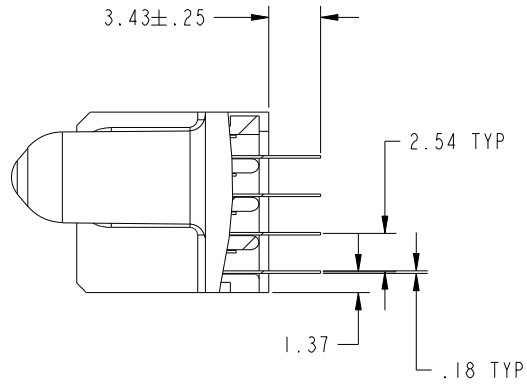


Tous droits strictement reserves. Reproduction ou communication a des tiers interdite sous quelque forme que ce soit sans autorisation ecrite du proprietaire. Propriete de c FCI. Droits de reproduction FCI.

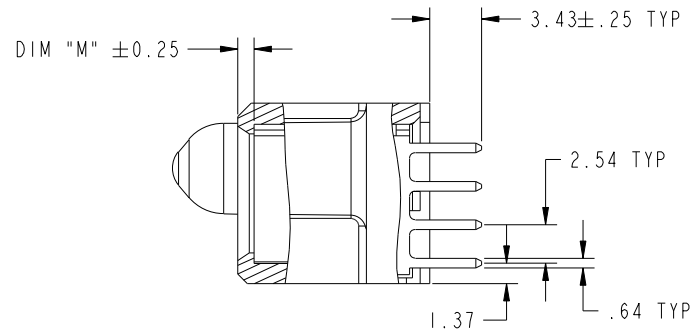
All rights strictly reserved. Reproduction or issue to third parties in any form whatever is not permitted without written authority from the proprietor. Property of FCI. Copyright FCI.



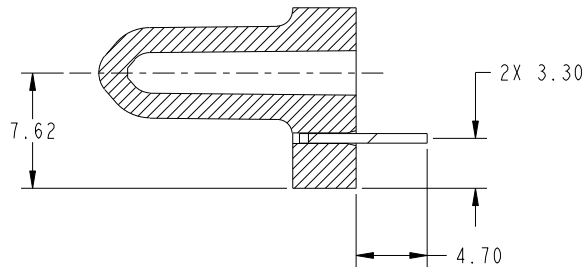
PRODUCT NUMBER
51940-063--
NOTE: 3



SECTION A-A
SCALE 2:1



SECTION B-B
SCALE 2:1



SECTION C-C
SCALE 2:1

mat'l code		SEE NOTE		tolerances unless otherwise specified		CUSTOMER		 www.fciconnect.com	
lfr	ecn no.	dr	date	linear	0.X ± 0.5	COPY		title	
C					0.XX ± 0.25	projection		4P + 24S + 4P VERTICAL SOLDER RECEPT	
				angles	0.XXX ± 0.10			product family	
					0° ± 2°			PwrBlade	
				dr	T. BRUNGARD 10/28/03			code	
				enrg	M. GRAY 10/28/03			213	
				chr	M. GRAY 10/28/03			sheet	
				appd	M. GRAY 10/28/03			2	
sheet index	revision sheet								

cage code 2856

Pro/E

PDM: Rev: C

STATUS: Released

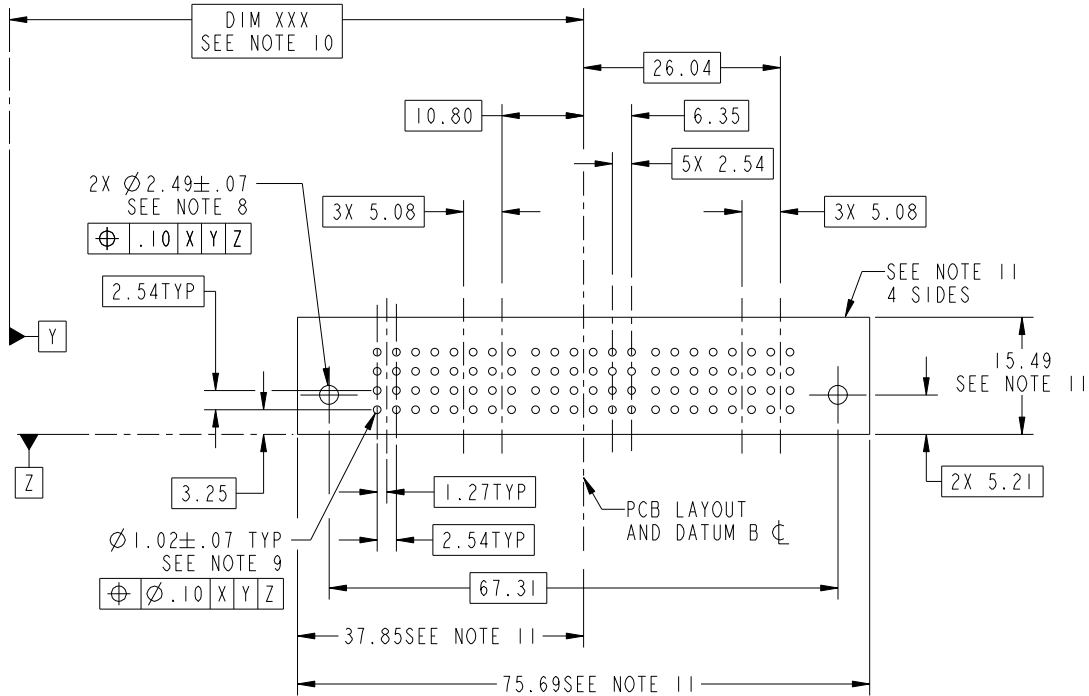
Printed: Sep 26, 2008

Tous droits strictement reserves. Reproduction ou communication a des tiers interdite sous quelque forme que ce soit sans autorisation ecrite du proprietaire. Propriete de c FCI. Droits de reproduction FCI.



All rights strictly reserved. Reproduction or issue to third parties in any form whatever is not permitted without written authority from the proprietor. Property of FCI. Copyright FCI.

PRODUCT NUMBER
51940-063--
NOTE: 3



mat'l code		SEE NOTE		tolerances unless otherwise specified		CUSTOMER		 www.fciconnect.com	
lir	ecn no.	dr	date	linear	0.X ± 0.5	COPY		title	
C					0.XX ± 0.25	projection		4P + 24S + 4P	
				angles	0.XXX ± 0.10			VERTICAL SOLDER RECEPT	
				dr	0° ± 2°	MM		product family PwrBlade	
				enr	T. BRUNGARD 10/28/03	scale		code	
				chr	M. GRAY 10/28/03	1:1		213	
				appd	M. GRAY 10/28/03	A		sheet	
sheet index		revision sheet				A		3	
						51940-063			

cage code 28516

Pro/E

PDM: Rev: C

STATUS: Released

Printed: Sep 26, 2008

Tous droits strictement réservés. Reproduction ou communication a des tiers interdite sous quelque forme que ce soit sans autorisation écrite du propriétaire. Propriété de c.FCI. Droits de reproduction FCI.

All rights strictly reserved. Reproduction or issue to third parties in any form whatever is not permitted without written authority from the proprietor. Property of FCI. Copyright FCI.



1 | 2

3

4

PRODUCT NUMBER

51940-063--
NOTE: 3

NOTES:

1. DIMENSIONS AND TOLERANCES ARE IN ACCORDANCE WITH ASME Y14.5M, 1994 UNLESS OTHERWISE SPECIFIED.

CONNECTOR NOTES:

② HOUSING MATERIAL: UL 94 V-0 GLASS FILLED
HIGH-TEMP THERMOPLASTIC
POWER CONTACT MATERIAL: COPPER ALLOY
SIGNAL PIN MATERIAL: COPPER ALLOY

3. PLATING:
⚠ SEE ITEM 5 & 6 IN PRINT 10064183 FOR PLATING SPEC OF 51940-063; 51940-063LF RESPECTIVELY.

④ MANUFACTURER'S NAME, P/N, AND DATE CODE TO APPEAR ON THIS SURFACE.

5. PRODUCT SPECIFICATION GS-12-149.
APPLICATION SPECIFICATION BUS-20-067.

6. PACKAGED IN TRAYS.

PCB NOTES:

7. ALL HOLE DIAMETERS ARE FINISHED HOLE SIZE.

⑧ MOUNTING HOLES, WHERE APPLICABLE, ARE UNPLATED.

⑨ $\varnothing 1.151 \pm 0.025$ DRILLED HOLES PLATED WITH 0.008 MIN SnPb OR Sn OVER 0.03 TO 0.08 Cu PLATING TO ACHIEVE $\varnothing 1.02 \pm 0.07$ HOLE.

⑩ "DIM XXX" TO BE DETERMINED BY THE CUSTOMER.

⑪ CONNECTOR KEEP-OUT ZONE.

12 A ⚠ SYMBOL WILL BE NEXT TO ANY DIMENSION, VIEW, OR NOTE WHICH HAS BEEN MODIFIED WITH THE CURRENT DRAWING REVISION.

mat'l code		SEE NOTE		tolerances unless otherwise specified		CUSTOMER		www.fciconnect.com	
lir	ecm no.	dr	date	linear	0.X ±0.5		COPY		title 4P + 24S + 4P VERTICAL SOLDER RECEPT
C					0.XX ±0.25		projection		
					0.XXX ±0.10				
				angles	0° ±2°				product family PwrBlade code 213 sheet 4
				dr	T. BRUNGARD	10/28/03			
				enrg	M. GRAY	10/28/03	scale 1:1		
				chr	M. GRAY	10/28/03	size A		
				appd	M. GRAY	10/28/03	dwg no 51940-063		
sheet index	revision sheet								

1 | 2

Pro/E

PDM: Rev: C

STATUS: Released

Printed: Sep 26, 2008

cage code 28526

4